

APPLICATION:

PRODUCT NAME:  
**SINGLE WALL FAUCET**

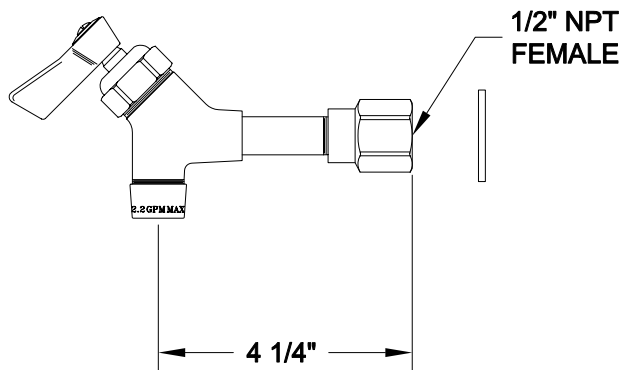
JOB NAME:

SPECIAL CONFIGURATION  
 CHECK BASE MODEL AND OPTIONS

QUANTITY:

ITEM NO.

MODEL:  
 12882



OPTIONS OR MODIFICATIONS:

- SUPPLY LINES (24" OR 36") CIRCLE LENGTH
- NIPPLES
- ELBOWS
- HANDLES (CROSS OR WRIST) CIRCLE STYLE
- VANDAL RESISTANT KIT
- OTHER \_\_\_\_\_

FEATURES

- \* SINGLE WALL CONTROL VALVE
- \* SWIVELLING SEAT DISK
- \* STEM - RIGHT HAND
- \* STAINLESS STEEL SEAT
- \* STAINLESS STEEL SEAT SCREW
- \* STAINLESS STEEL HANDLE SCREW
- \* HOT AND COLD INDEX BUTTON

SYSTEM LIMITS

- \* TEMP: 40°F MIN. TO 140°F MAX.
- \* PRESSURE: 200 PSI MAX. STATIC
- \* 2.20 GPM @ 60 PSI

SHIPPING WEIGHT

- \* 1.25 LBS

ROUGH-IN:

